

FEATURES

- 8" Centerset faucet
- Washerless cartridges
- Metal knob lever handles
- Three hole application
- 2.0 gpm @ 60 PSI
- One year limited warranty against defects in materials and manufacturing workmanship

FINISHES



CHROME

MAINTENANCE

Please read the following before installation and operation.

1 Installation

- Rinse the inlet pipe clean.
- Connect the appropriate water supplies:
Hot water on the left side
Cold water on the right side

2 Technical Parameter

- Water Pressure: 0.1 MPa - 0.86 MPa
- Water Temperature: 41-160° F

3 Surface Maintenance

Remove as much surface dirt and film using clean water and cotton cloth.

Spray cleaners including mild liquid detergents, clear liquid glass cleaner, non-acidic and full dissolved powder cleaners or non-abrasive liquid polishers on a rag are acceptable to clean the faucet surface.

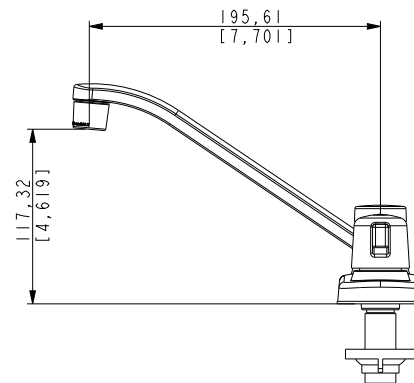
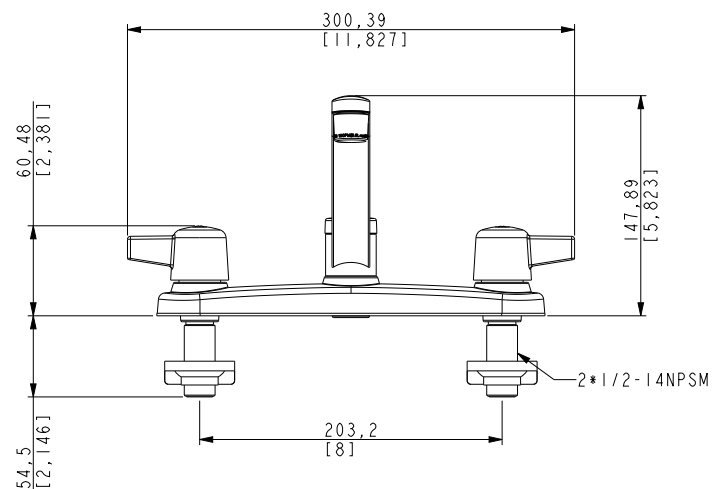
Once clean, rinse the faucet thoroughly with clean water to remove the cleaner then dry with soft cotton cloth.

CODES

- Certified to ASME A112.18.1
- IAPMO
- cUPC



SPECIFICATIONS



- For reference only (unit = MM and inch)
Illustrations may not be to scale
Dimensions are subject to change without notice