



FEATURES

- High-efficiency urinal (HEU)
- 0.5 gpf (1.9 lpf)
- Wash-out flushing action
- Wall-hung design
- 3/4" (19 mm) top inlet spud
- Integral flushing rim
- Stain-resistant vitreous china
- ADA compliant
- Hanging bracket included
- Flush valve sold separately
- Limited lifetime warranty

AVAILABLE COLOR



WHITE (130)

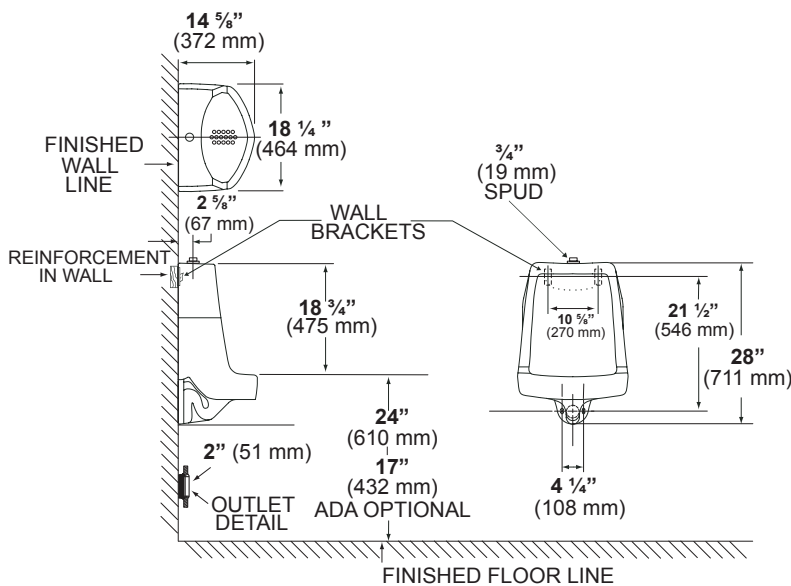
SPECIFICATIONS

- Model 7553: Wash-out ADA urinal, 52 lbs (24 kg)



INSTALLATION

- Urinal installation instructions supplied
- Flush valve not included
- ADA compliant when installed according to the American with Disabilities Act standards



Dimensions may vary (+) or (-) 1/4". Dimensions shown in parentheses are in millimeters: 25.4 mm = 1 inch.

Note: Fixture dimensions are nominal and conform with dimension and performance requirements of ASME A112.19.2-2008 / CSA B45.1-08. PSI rating: 20 minimum to 80 maximum per ASME A112.19.2-2008 / CSA B45.1-08. Dimensions subject to change or cancellation without notice. Briggs is not responsible for the use of superceded or voided specification information.



BRIGGS
High Efficiency Urinals

(800) 888-4458

www.briggsindustries.com