

The Conserver™ Dual Flush HET



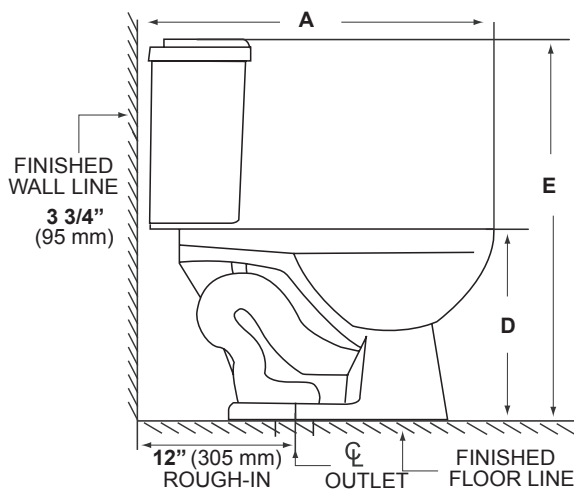
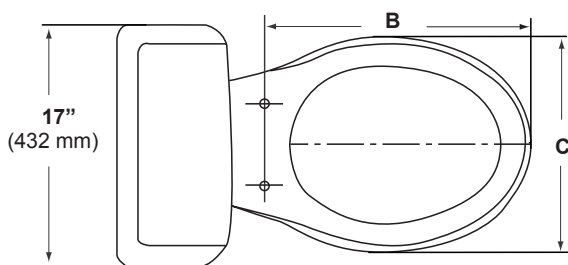
The Conservor™ Dual Flush HET

1.6 gpf/6.0 lpf & 1.0 gpf/3.8 lpf
Dual-Flush, Two-Piece Toilet

4211 / 4212 / 4213



BRIGGS®
High Efficiency Toilets



FEATURES

- High-efficiency toilet (HET)
- Choose either 1.6 or 1.0 gpf. Push back for full 1.6 gpf; pull forward for reduced 1.0 gpf*
- Wide 2" glazed trapway
- Brushed metal look tank lever
- Sanitary bar on bowl for easy cleaning
- Stain-resistant vitreous china
- 18" x 10" footprint, Model 4211
- 20 - 1/2" x 10" footprint, Model 4212
- 18" x 9 - 1/4" footprint, Model 4213
- Limited lifetime Warranty

*Estimated average consumption at or below 1.28 gpf based on HET standard of 2 reduced flushes for each full flush

AVAILABLE COLORS



WHITE (130)




BISCUIT (235)



BONE (733)

SPECIFICATIONS

- Model 4211: 12" rough-in round toilet, 67 lb, consists of bowl (model 4370) and tank (model 4488)
- Model 4212: 12" rough-in elongated toilet, 70 lb, consists of bowl (model 4375) and tank (model 4488)
- Model 4213: 12" rough-in elongated ADA toilet, 76 lb, consists of bowl (model 4378) and tank (model 4488) 
- Model 7488: Tank Lid for 4488, 10 lb

INSTALLATION

- Installation instructions supplied

	4211	4212	4213
A	28-1/8" (714)	29-3/4" (754)	29-7/8" (760)
B	16-1/2" (420)	18-1/2" (470)	18-1/2" (470)
C	14-3/4" (375)	14-3/4" (375)	14-3/4" (375)
D	14-1/2" (370)	14-1/2" (370)	17" (432)
E	28-1/2" (724)	28-1/2" (724)	30" (762)

Dimensions may vary (+) or (-) 1/4". Dimensions shown in parentheses are in millimeters: 25.4 mm = 1 inch. Note: Fixture dimensions are nominal and conform with dimension and performance requirements of ASME A112.19.14. PSI rating: 20 minimum to 80 maximum per ASME A112.19.2. Dimensions subject to change or cancellation without notice. Briggs is not responsible for the use of superceded or voided specification information.



BRIGGS®
High Efficiency Toilets

(800) 888-4458

www.briggsplumbing.com