

The Conservor™ Dual Flush HET



Design | Technology | Innovation

 **BRIGGS**[®]
High Efficiency Toilets

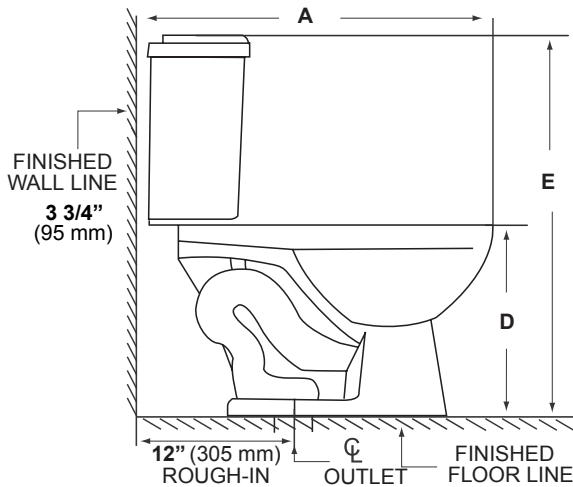
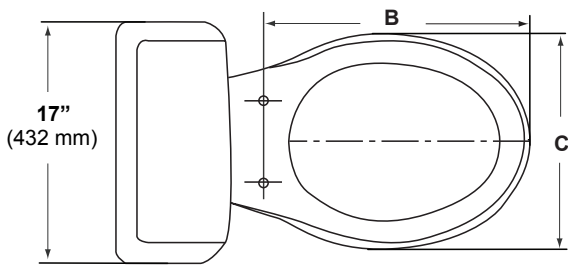
The Conservor™ Dual Flush HET

1.6 gpf/6.0 lpf & 1.0 gpf/4.2 lpf
Dual-Flush, Two-Piece Toilet

4207 / 4208 / 4209



BRIGGS
High Efficiency Toilets



Dimensions may vary (+) or (-) 1/4". Dimensions shown in parentheses are in millimeters: 25.4 mm = 1 inch. Note: Fixture dimensions are nominal and conform with dimension and performance requirements of ASME A112.19.14-2006. PSI rating: 20 minimum to 80 maximum per ASME A112.19.14-2006. Dimensions subject to change or cancellation without notice. Briggs is not responsible for the use of superceded or voided specification information.

FEATURES

- High-efficiency toilet (HET)
- Choose either 1.6 or 1.0 gpf*
- Wide 2" glazed trapway
- Top-mounted push button flush release
- Stain-resistant vitreous china
- 18" x 10" footprint, Model 4207
- 20 - 1/2" x 10" footprint, Model 4208
- 18" x 9 - 1/4" footprint, Model 4209
- Limited lifetime Warranty

*Estimated average consumption at or below 1.28 gpf based on HET standard of 2 reduced flushes for each full flush

AVAILABLE COLORS



WHITE (130)



BISCUIT (235)



BONE (733)

SPECIFICATIONS

- Model 4207: 12" rough-in round toilet, 69 lb, consists of bowl (Model 4370) and tank (Model 4484)
- Model 4208: 12" rough-in elongated toilet, 72lb, consists of bowl (Model 4375) and tank (Model 4484)
- Model 4209: 12" rough-in elongated ADA toilet, 78 lb, consists of bowl (Model 4378) and tank
- Model 7484: Tank Lid for 4484, 10lb



INSTALLATION

- Installation instructions supplied

	4207	4208	4209
A	28-1/8" (714)	29-3/4" (754)	29-7/8" (760)
B	16-1/2" (420)	18-1/2" (470)	18-1/2" (470)
C	14-3/4" (375)	14-3/4" (375)	14-3/4" (375)
D	14-1/2" (370)	14-1/2" (370)	17" (432)
E	28-1/2" (724)	28-1/2" (724)	30" (762)

BRIGGS
High Efficiency Toilets

(800) 888-4458

www.briggsindustries.com

Design | Technology | Innovation