



FEATURES

- High-efficiency toilet (HET)
- 1.28 gpf (4.8 lpf)
- Elongated Bowl
- 10" rough-in
- Siphon-jet flushing action
- 10 3/4" (273 mm) x 9 1/4" (235 mm) water surface area
- 2" (51 mm) trapway
- Integral rim jets for cleaner bowl
- Stain-resistant vitreous china
- 19" (482 mm) x 9-1/2" (241 mm) footprint
- 1-1/2" (38 mm) top inlet spud
- Flush valve sold separately
- Limited lifetime Warranty

AVAILABLE COLOR



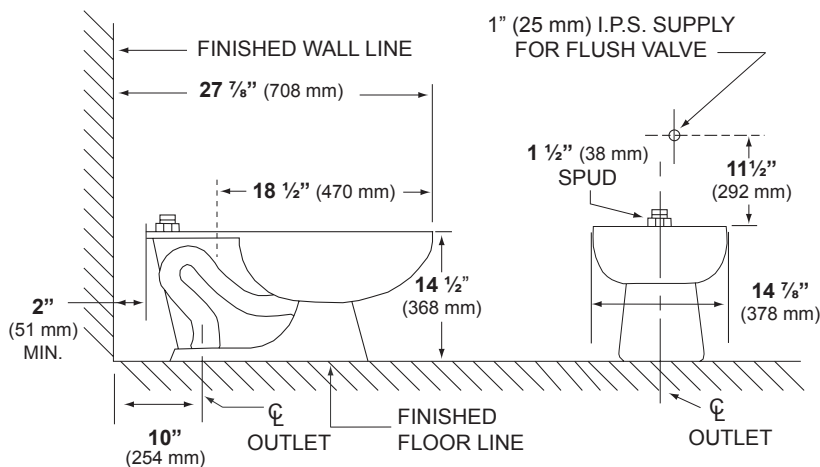
WHITE (130)

SPECIFICATIONS

- Model 7711: 10" (254 mm) rough-in elongated floor-mounted toilet, 45 lbs (20.5 kg)

INSTALLATION

- Bowl installation instructions supplied
- Flush valve not included
- Developed to flush with 1.28 gallons (4.8 liters) of water when used with a 1.28 gpf (4.8 lpf) valve



Dimensions may vary (+) or (-) 1/4". Dimensions shown in parentheses are in millimeters: 25.4 mm = 1 inch.
Note: Fixture dimensions are nominal and conform with dimension and performance requirements of ASME A112.19.2-2008/CSA B45.1-08. PSI rating: 35 minimum to 80 maximum per ASME A112.19.2-2008/CSA B45.1-08. Dimensions subject to change or cancellation without notice. Briggs is not responsible for the use of superseded or voided specification information.



BRIGGS[®]
High Efficiency Toilets

(800) 888-4458

www.briggsindustries.com