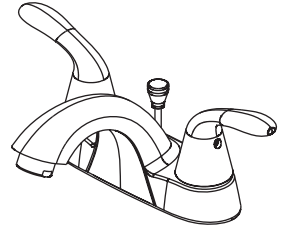
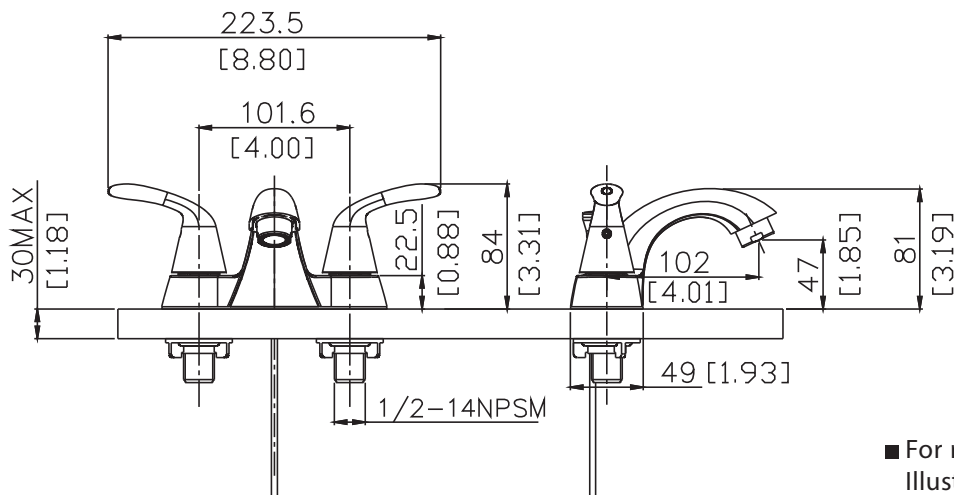


B300 / B300BN
TWO HANDLE CENTERSET LAVATORY
FAUCET WASHERLESS STEM
CARTRIDGE,50/50 POP-UP,
HYBRID WATERWAY



DIMENSIONS



■ For reference only (unit = mm [inch])
Illustrations may not be to scale
Dimensions are subject to change
without notice

FAUCET MAINTENANCE

Please read the followings before installing and usage.

1

Installation

Rinse the inlet pipe clean.
Exactly connect to appropriate
water supplies with hot water
supply on the left side and
cold on the right side.

2

Technique Parameter

Water Pressure: 0.1MPa-0.86MPa
Water Temperature: 5-71°C.

3

Surface maintenance

Remove as mush surface dirt and
film using clear water and cotton cloth.

Spray cleaner such as mild liquid
detergents, clearliquid glass cleaner,
non-acidic and fully dissolved powder
cleaners or non-abrasive liquid polishers
on the rag to clean the faucet surface.

Once clean,rinse faucet again with
clear water to thoroughly remove
cleaner and dry with soft cotton cloth.