

# *ALTIMA MAX*

*FMBO COMPACT ELONGATED TOILET*



**BRIGGS<sup>®</sup>**

[www.briggsplumbing.com](http://www.briggsplumbing.com)

# BRIGGS®

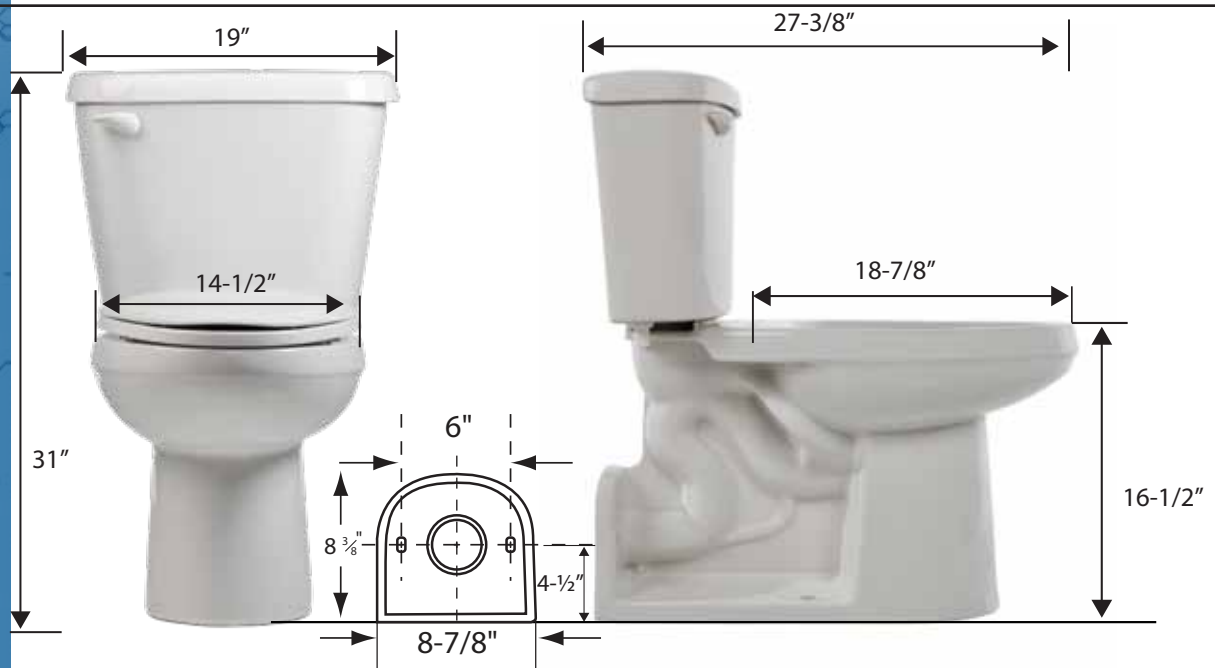
## ALTIMA™ MAX SERIES TOILETS Features



- 4048 FMBO Compact Elongated two-piece toilet
  - Bowl: 4348- 44.4 lbs / 20.2kg
  - Tank: 4144- 35.6 lbs / 16.4 kg
- 1.28 gpf / 4.8 lpf
- Floor mount back outlet
- High Performance 3" flush valve
- ComfortFit compact elongated bowl fits in in the same space as a round bowl
- ADA compliant
- Angular tank design
- Seat not included
- Available in White



### Dimensions



Dimensions may vary (+) or (-) 1/4". Dimensions shown in parentheses are in millimeters: 25.4 mm = 1 inch. Note: Fixture dimensions are nominal and conform with dimension and performance requirements of ASME A112.19.2-2008 / CSA B45.1-08 standards. PSI rating: 20 minimum to 80 maximum per ASME A112.19.2008 / CSA B45.1-08. Dimensions subject to change or cancellation without notice. Briggs is not responsible for the use of superceded or voided specification information.

[www.briggsplumbing.com](http://www.briggsplumbing.com)

jrrev20180830