

BRIGGS®

ABINGDON™ HET

4832/4833/4834

Two Piece Toilet, 1.28 gpf/ 4.8 lpf

FEATURES

- Vitreous china
- Boxed rim, jetted bowl
- 12" (305 mm) rough-in
- High efficiency-consumption 1.28 gpf/4.8 lpf
- Includes color matched plastic trip lever
- Sanitary bar on all bowls
- Toilet seat sold separately

MODEL & DESCRIPTION

4832 Combination consists of:

- 4860 Abingdon HET Round front bowl
Shipping weight: 35 lb (15.9 kg)
- 4800 Abingdon HET 12" Rough-In tank
Shipping weight: 34 lb (15.4 kg)

4833 Combination consists of:

- 4865 Abingdon HET Elongated front bowl
Shipping weight: 38 lb (17.2 kg)
- 4800 Abingdon HET 12" Rough-in tank
Shipping weight: 34 lb (15.4 kg)

4834 Combination consists of:

- 4868 Abingdon HET ComfortFit ADA front bowl
Shipping weight: 43 lb (kg)
- 4800 Abingdon HET 12" Rough-in tank
Shipping weight: 34 lb (15.4 kg)

Optional Tanks:

- 4802 12" R.I. with Right Hand Flush Lever
- 4804 10" Rough-in Tank
- 4805 14" Rough-in Tank

CODES & STANDARDS

Meets or exceeds the following:

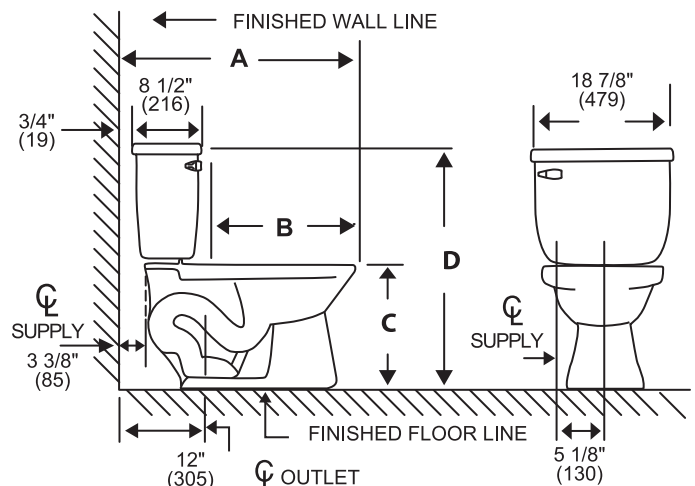
- ASME A112.19.2
- CSA B45.1
- IAPMO/cUPC



COLORS:

- ☐ WHITE (130)
- ☐ BISCUIT (235)
- ☐ BONE (733)

SPECIFICATIONS



	4832	4833	4834
A	27 1/2" (699)	29 1/2" (749)	30 1/2" (775)
B	16 1/2" (419)	18 1/2" (470)	18 1/2" (470)
C	14 3/4" (375)	14 3/4" (375)	17" (432) ♿
D	29" (737)	29" (737)	31 1/2" (802)

Dimensions may vary (+) or (-) 1/4". Dimensions shown in parentheses are in millimeters: 25.4 mm = 1 inch. Note: Fixture dimensions are nominal and conform with dimension and performance requirements of ASME A112.19.2-2008/CSA B45.1-08 standards. PSI rating: 20 minimum to 80 maximum per ASME A112.19.2-2008/CSA B45.1-08 standards. Dimensions subject to change or cancellation without notice. Briggs is not responsible for the use of superseded or voided specification information.

BRIGGS®

High Efficiency Toilets

(800) 888-4458

www.briggsplumbing.com