

#### FEATURES

- High Efficiency 1.28 gpf / 4.8 Lpf
- Round Front Bowl
- Vitreous china
- Siphon jet
- 10" Rough-in
- 1-1/2" Back spud
- Flushometer sold separately

#### MODEL & DESCRIPTION

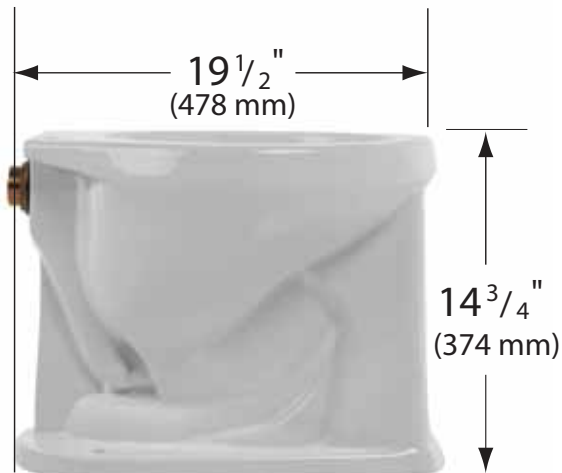
7751 Walter Round front bowl  
Shipping weight: 35 lb (15.9 kg)



COLORS:

□ WHITE (130)

#### SPECIFICATIONS



#### CODES & STANDARDS

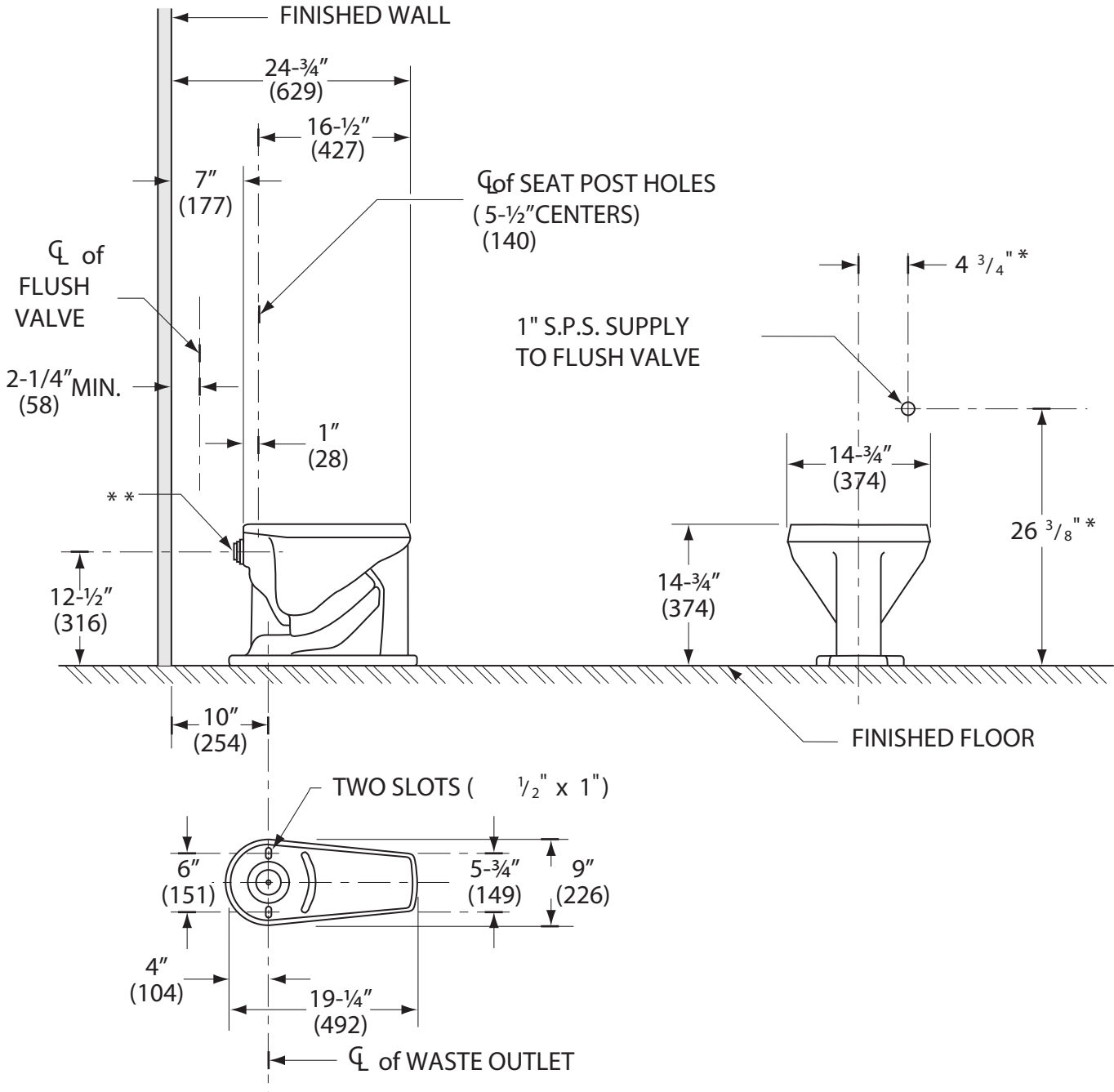
Meets or exceeds the following:

- ASME A112.19.2
- CSA B45.1
- IAPMO/cUPC



Dimensions may vary (+) or (-) 1/4". Dimensions shown in parentheses are in millimeters: 25.4 mm = 1 inch. Note: Fixture dimensions are nominal and conform with dimension and performance requirements of ASME A112.19.2-2008/CSA B45.1-08 standards. PSI rating: 20 minimum to 80 maximum per ASME A112.19.2-2008/CSA B45.1-08 standards. Dimensions subject to change or cancellation without notice. Briggs is not responsible for the use of superseded or voided specification information.

#### SPECIFICATIONS



Dimensions may vary (+) or (-) 1/4". Dimensions shown in parentheses are in millimeters: 25.4 mm = 1 inch. Note: Fixture dimensions are nominal and conform with dimension and performance requirements of ASME A112.19.2-2008/CSA B45.1-08 standards. PSI rating: 20 minimum to 80 maximum per ASME A112.19.2-2008/CSA B45.1-08 standards. Dimensions subject to change or cancellation without notice. Briggs is not responsible for the use of superceded or voided specification information.

Illustrations may not be drawn to scale.