

### FEATURES

- Contemporary Design
- Crafted of stain-resistant vitreous china
- 4" or 8" Centers
- Concealed front over Flow
- Limited lifetime warranty
- Faucet Not Included



### MODEL & DESCRIPTION

Altima Ped Lav (6655/6657) consists of:

6634/6638 Altima Ped Lav with 4" or 8" Centers  
Shipping Weight 37.8 lb (17.15 kg)

6683 Altima Pedestal Base  
Shipping Weight 14 lbs (6.3 kg)

Total Shipping weight: 51.808lb (23.45g)

### COLORS

- WHITE (130)

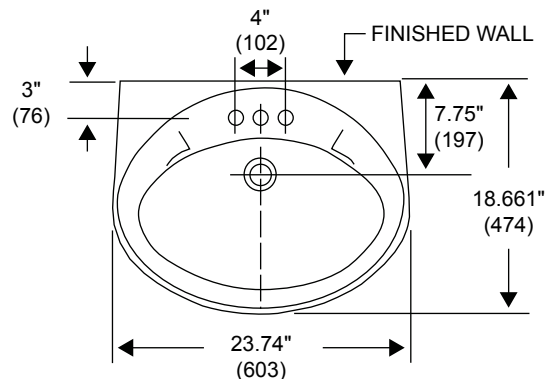
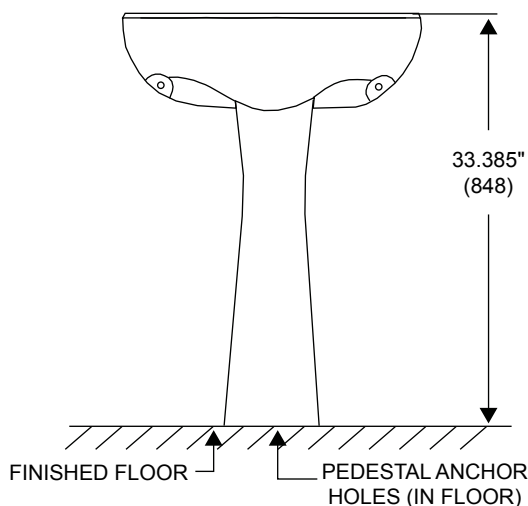
### CODES & STANDARDS

Meets or exceeds the following:

- ASME A112.19.2
- CSA B45.1
- IAPMO/cUPC



### SPECIFICATIONS



**PLUMBER NOTE:**  
PROVIDE SUITABLE  
REINFORCEMENT FOR  
ALL WALL SUPPORTS.

Dimensions may vary (+) or (-) 1/4". Dimensions shown in parentheses are in millimeters: 25.4 mm = 1 inch. Note: Fixture dimensions are nominal and conform with dimension and performance requirements of ASME A112.19.2-2008/CSA B45.1-08 standards. PSI rating: 20 minimum to 80 maximum per ASME A112.19.2-2008/CSA B45.1-08 standards. Dimensions subject to change or cancellation without notice. Briggs is not responsible for the use of superceded or voided specification information.