

FEATURES

- Stain-resistant vitreous china
- Under-mount
- Concealed front overflow
- Less faucet holes
- Limited Lifetime warranty

MODEL & DESCRIPTION

6509- 17" x 13-¹/₄" (Internal Dim.) Under-mount
19-³/₄" x 15-³/₄" (External Dim.)




COLORS:

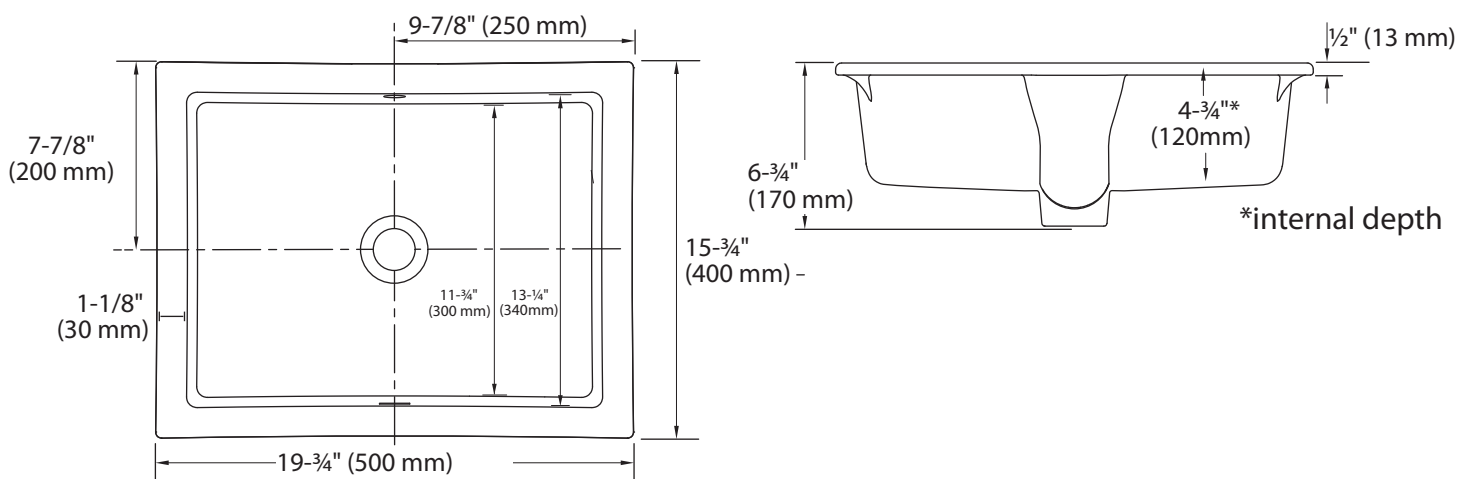
□ WHITE (130)

CODES & STANDARDS

Meets or exceeds the following:

- ASME A112.19.2
- CSA B45.1
- IAPMO/cUPC 
- ADA Compliant

SPECIFICATIONS



Dimensions may vary (+) or (-) 1/4". Dimensions shown in parentheses are in millimeters: 25.4 mm = 1 inch. Note: Fixture dimensions are nominal and conform with dimension and performance requirements of ASME A112.19.2-2008/CSA B45.1-08 standards. PSI rating: 20 minimum to 80 maximum per ASME A112.19.2-2008/CSA B45.1-08 standards. Dimensions subject to change or cancellation without notice. Briggs is not responsible for the use of superseded or voided specification information.