



FEATURES

- High-efficiency toilet (HET)
- 1.28 gpf (4.8 lpf)
- Siphon-jet flushing action
- 2 1/8" (54 mm) trapway
- 11 1/4" (286 mm) x 9 1/2" (495 mm) water surface
- Integral rim jets for cleaner bowl
- 1 1/2" (38 mm) top inlet spud
- Wall-mounted flush valve toilet
- ADA compliant
- Stain-resistant vitreous china
- Limited Lifetime warranty

AVAILABLE COLOR



WHITE (130)

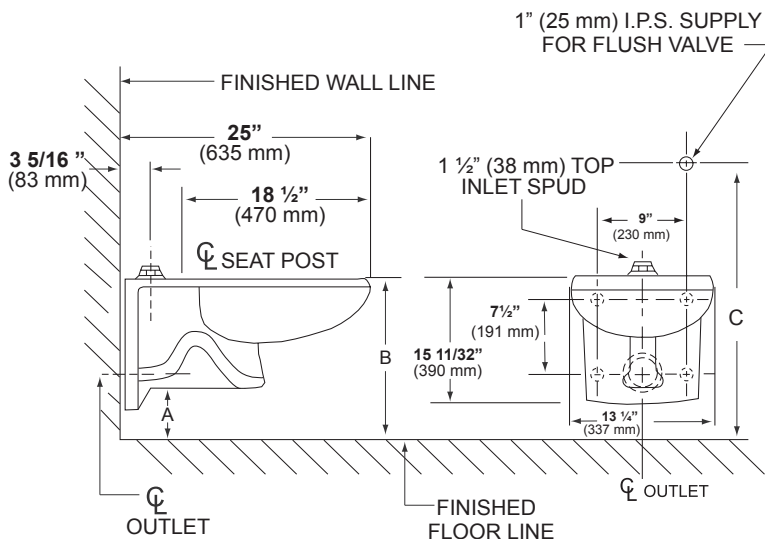
SPECIFICATIONS

- Model 7781: Elongated ADA wall-mounted toilet, 51 lb (23 kg)



INSTALLATION

- Bowl installation instructions supplied
- Flush valve not included
- ADA compliant when installed according to the American with Disabilities Act standards



	7781	7781 ADA
A	5" (127 mm)	7" (178 mm)
B	15" (381 mm)	17" (432 mm)
C	26-1/2" (673 mm)	27-1/2" (699 mm)



Dimensions may vary (+) or (-) 1/4". Dimensions shown in parentheses are in millimeters: 25.4 mm = 1 inch.
Note: Fixture dimensions are nominal and conform with dimension and performance requirements of ASME A112.19.2-2008 / CSA B45.1-08 standards. PSI rating: 20 minimum to 80 maximum per ASME A112.19.2-2008 / CSA B45.1-08 standards. Dimensions subject to change or cancellation without notice. Briggs is not responsible for the use of superceded or voided specification information.