

FEATURES

- Vitreous china
- Boxed rim, jetted bowl
- 12" (305 mm) rough-in
- High efficiency-consumption 1.28 gpf/4.8 Lpf
- 1000 miso gram MaP Test
- Includes color matched plastic trip lever
- Sanitary bar on all bowls
- Includes Toilet seat, floor bolts, wax ring

MODEL & DESCRIPTION

Round Bowl: 7021
Shipping weight: 79.7 lbs

Elongated Bowl: 7026
Shipping weight: 86.2 lbs

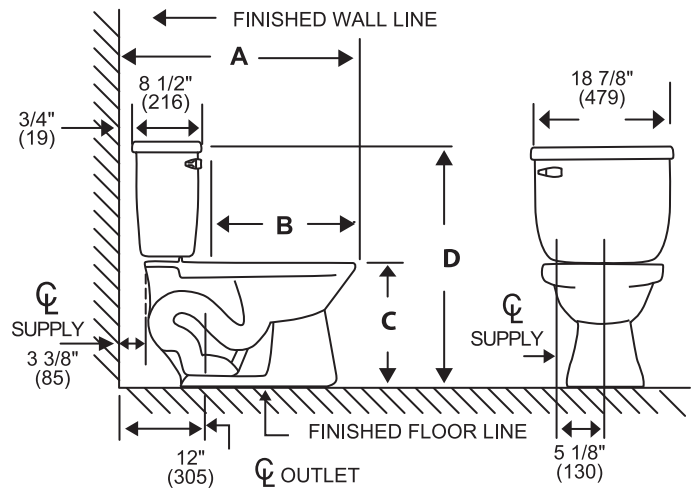
ADA Elongated Bowl: 7028
Shipping weight: 82.7 lbs



COLORS:

☐ WHITE (130)

SPECIFICATIONS



CODES & STANDARDS

Meets or exceeds the following:

- ASME A112.19.2
- CSA B45.1
- IAPMO/cUPC



	4832	4833	4834
A	27 1/2" (699)	29 1/2" (749)	30 1/2" (775)
B	16 1/2" (419)	18 1/2" (470)	18 1/2" (470)
C	14 3/4" (375)	14 3/4" (375)	17" (432) ♿
D	29" (737)	29" (737)	31 1/2" (802)

Dimensions may vary (+) or (-) 1/4". Dimensions shown in parentheses are in millimeters: 25.4 mm = 1 inch. Note: Fixture dimensions are nominal and conform with dimension and performance requirements of ASME A112.19.2-2008/CSA B45.1-08 standards. PSI rating: 20 minimum to 80 maximum per ASME A112.19.2-2008/CSA B45.1-08 standards. Dimensions subject to change or cancellation without notice. Briggs is not responsible for the use of superseded or voided specification information.