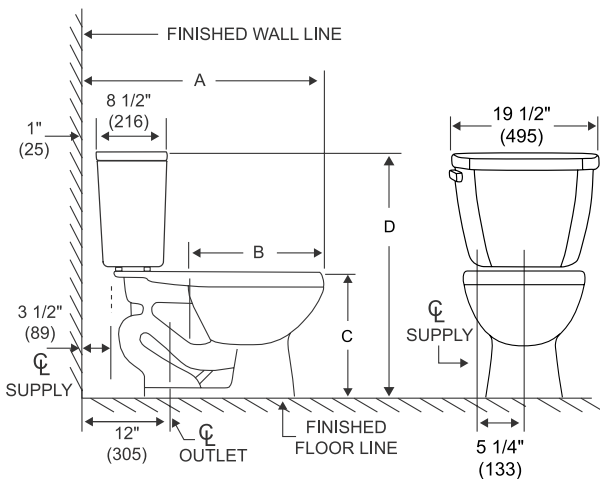


The Margery™



Design | Technology | Innovation

 BRIGGS®



	4767	4768	4769
A	28-1/2" (724)	30-1/2" (775)	30-1/2" (775)
B	16-1/2" (419)	18-1/2" (470)	18-1/2" (470)
C	14-3/4" (375)	14-3/4" (375)	17" (432)
D	29" (737)	29" (737)	31-1/4" (794)

Dimensions may vary (+) or (-) 1/4". Dimensions shown in parentheses are in millimeters: 25.4 mm = 1 inch. Note: Fixture dimensions are nominal and conform with dimension and performance requirements of ASME/ANSI Standards A112.19.2M. Dimensions subject to change or cancellation without notice. Briggs is not responsible for the use of superseded or voided specification information.

FEATURES

- Stylish tank design
- Stain-resistant vitreous china
- 8" x 9" water surface
- Integral rim jets
- Thetford loop trapway design
- Anti-siphon ballcock
- Wide 2" trapway
- Sanitary bar on bowl for ease of cleaning
- Color-matched trip levers
- 18" x 10" footprint, Model 4320
- 18" x 9" footprint, Model 4325
- 18" x 9-1/4" footprint, Model 4328
- Generous 5-year warranty

AVAILABLE COLORS



SPECIFICATIONS

- Model 4767: 12" rough-in round toilet, 78 lb, consists of bowl (Model 4320) and tank (Model 4464)
- Model 4768: 12" rough-in elongated toilet, 80 lb, consists of bowl (Model 4325) and tank (Model 4464)
- Model 4769: 12" rough-in elongated ComfortFit ADA toilet, 82 lb, consists of bowl (Model 4328) and tank (Model 4464)
- Model 7464: Tank lid for Model 4464



INSTALLATION

- Installation instructions supplied
- Quick-connect system for easy tank-to-bowl installation